

# LASER LOCK LIVE MAPPING SYSTEM



## PARTS MANUAL



For: Spanish See DVD sent with unit.  
French  
German  
etc.

## PARTS INFORMATION

If it becomes necessary to order replacement parts or accessories for your Laser Lock Live Mapping System, or contact a service representative, call the Chief Automotive Technologies toll-free telephone number (800-445-9262). If located outside the United States, contact an authorized Chief Automotive Technologies representative.

When contacting Chief Automotive Technologies by telephone or mail, provide the following information: name, name of shop, shop telephone number, shop address, a description of the part and the part number, if available. In addition, note the method of payment and shipping charges.

### Chief Product Warranty – Capital Equipment

#### Limited Warranty

All Chief Automotive Capital Equipment is warranted to the original owner for one year from install date. Chief Automotive shall replace for the first year those parts returned to the factory which prove upon inspection by Chief Automotive to be defective. Chief shall pay reasonable costs of transportation and labor for replacement of said parts for the first 12 months only.

All Chief Automotive accessories are warranted to the original owner for one year from invoice date. Chief Automotive shall replace for the full year those parts returned to the factory which prove upon inspection by Chief Automotive to be defective. Chief Automotive shall pay for reasonable costs of transportation and labor for replacement of said parts for warranty period.

**This warranty shall not apply unless the product is installed, operated, used and maintained in accordance with Chief Automotive's specifications as set forth in Chief Automotive's installation, operation and maintenance instructions.**

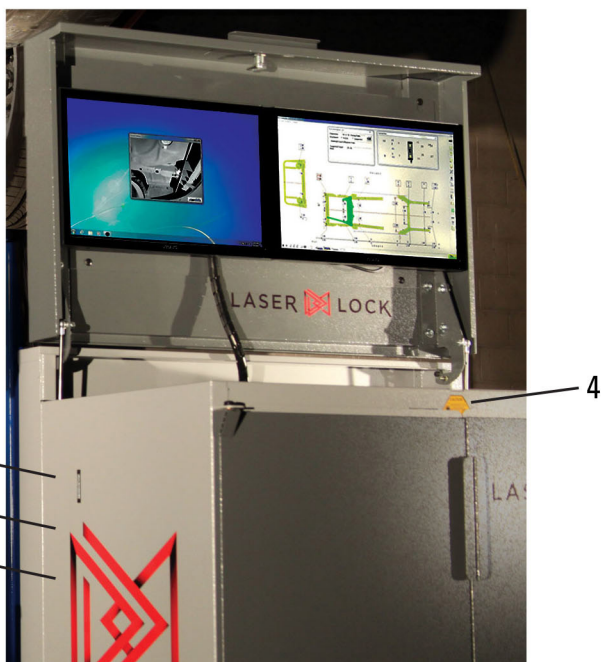
**This warranty does not cover normal maintenance or adjustments, remedies for routine maintenance, damage or malfunction caused by improper handling, installation, abuse, misuse, negligence, carelessness of operation, or normal wear and tear. In addition, this warranty does not cover equipment when unauthorized repairs or alterations have been attempted or made to the product.**

This warranty is exclusive and all other expressed or implied warranties including merchantability or fitness for a particular purpose are hereby expressly excluded.

The remedies described are exclusive and in no event shall Chief Automotive be liable for any special, consequential or incidental damages of any kind including damages for breach of or delay in performance of the warranty.

This warranty shall be governed under the laws of the State of Indiana, and shall be subject to the exclusive jurisdiction of the Court in the State of Indiana in the County of Jefferson.

## WORKSTATION



REF.	PART NO.	DESCRIPTION
1	**	Monitor, LCD
2	**	Keyboard, enhanced
3	788448	NA, CSA Workstation, Complete (110 volt)
3a	788448CE	CE Workstation, Complete (220 volt)
3b	788459	CSA Workstation
4	790292	Decal, Laser Radiation
*	790305	Decal, Avoid Exposure!
10	720100	NA Body Scanner Package
10a	720100CE	CE Body Scanner Package
10b	720100	CSA Body Scanner Package
*	788032	NA Body Scanner Cable
*	788007	CE Body Scanner Cable
*	788588	Power Supply Cable (100-240 volt)
*	788289	Nylon Hinges (pair)

\*Not shown in parts section.

\*\*Contact Chief Automotive Technologies for current model(s) available. Note brand name and model number of existing equipment when making inquiry.

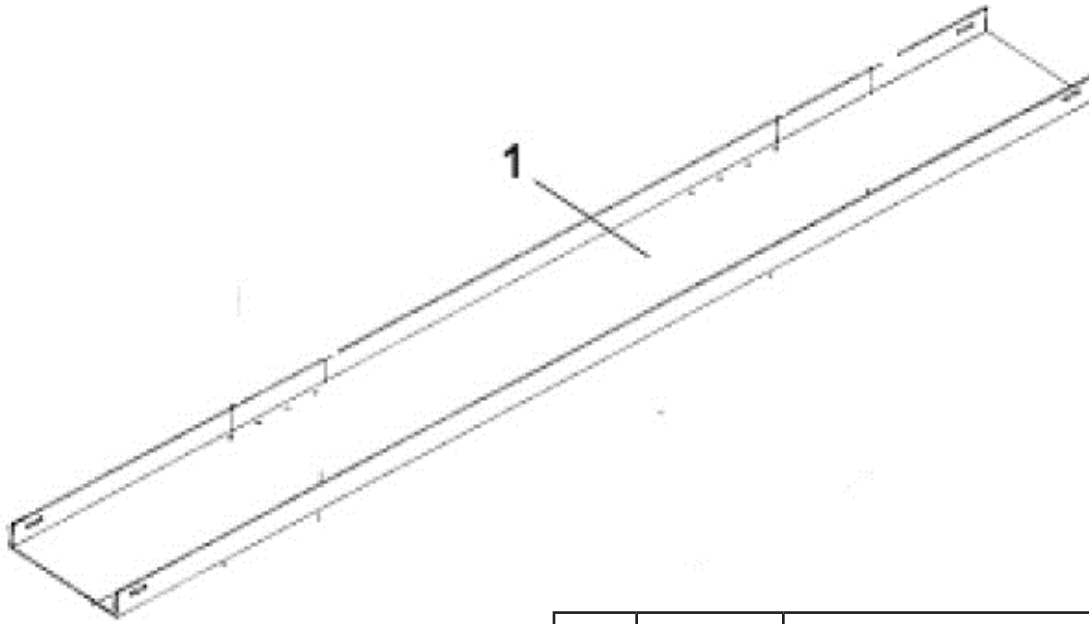
## BODY SCANNER



4

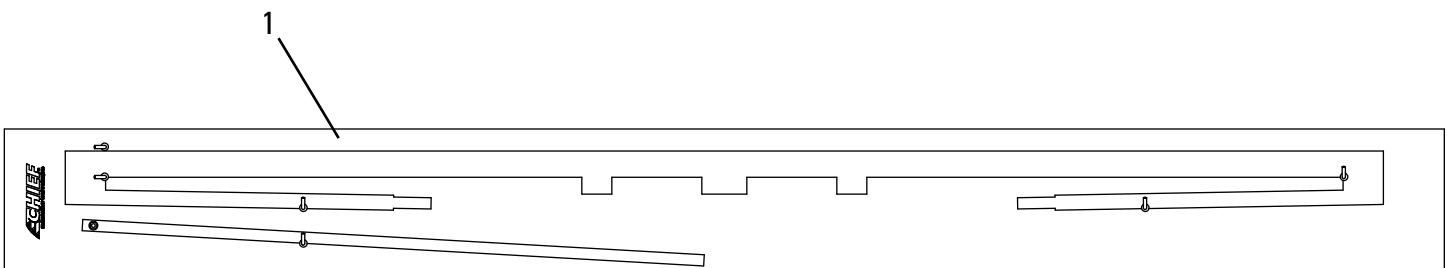
3

## BODY SCANNER TRAY

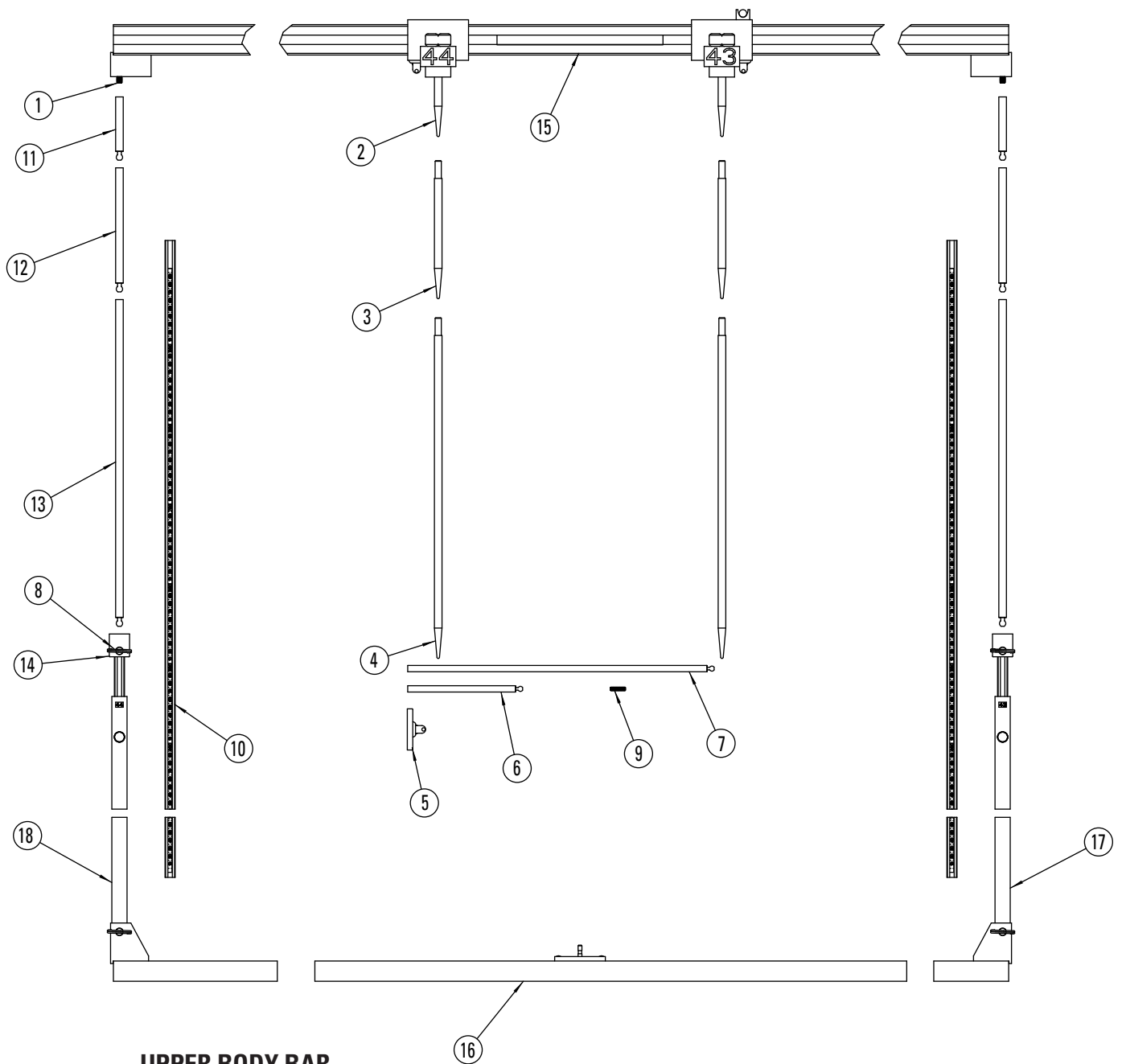


REF.	PART NO.	DESCRIPTION
1	788076	Tray, Body Scanner (complete)

## STORAGE BOARD



REF.	PART NO.	DESCRIPTION
1	799158	Board Assembly, Wall Storage

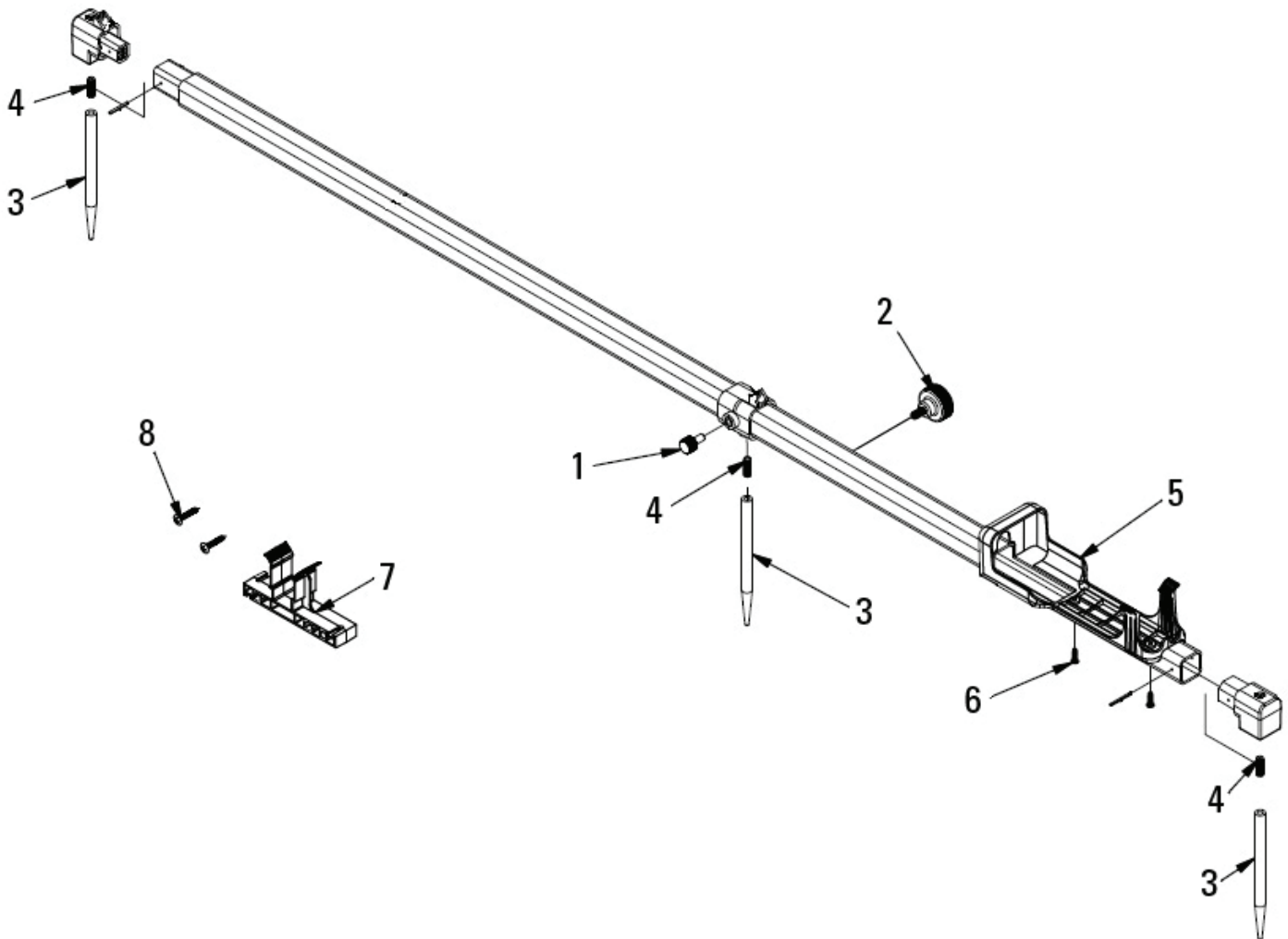


### UPPER BODY BAR

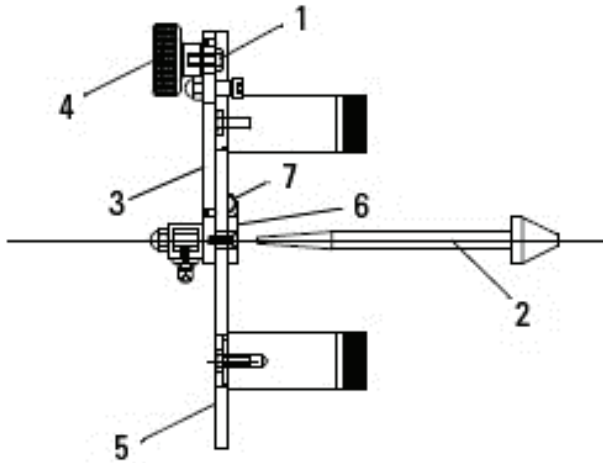
ITEM	QTY	PART NO.	DESCRIPTION
1	2	010074	SOCKET HEAD SET SCREW 1/4-20 x 3/4
2	2	620947	UNI-STRUT 4" POINTER
3	2	620955	UNI-STRUT 7" POINTER
4	2	620956	UNI-STRUT 17" POINTER
5	1	780110	UPPER BODY MAGENTIC ASSY
6	1	790444	PENDANT, 140MM
7	1	790516	PENDANT, 380MM
8	4	792781	PIN, UPPER BODY BAR
9	1	796221	SCREW 8-32NC X .75 LG
10	2	797786	BAR-TAPE ASSEMBLY, UPPER BODY SCALE
11	2	799005	SHORT UBB EXTENSION -
12	2	799007	MEDIUM UBB EXTENSION -
13	2	799011	LONG UBB EXTENSION -
14	2	799012	UBB EXTENSION ATTACHMENT
15	1	799014	UPPER BAR ASSEMBLY UPPER BODY BAR
16	1	799481	LOWER BAR ASSEMBLY UPPER BODY BAR
17	1	799489	VERTICAL SCALE ASSEMBLY UPPER BODY BAR, LEFT
18	1	799490	VERTICAL SCALE ASSEMBLY UPPER BODY BAR, RIGHT

REF.	PART NO.	DESCRIPTION
	787003	Intellitram Assembly
1	621835	1/4"-20 Thumb Screw Pedal
2	788819	Intellitram Stop Knob Assy.
3	787068	Intellitram Pointer
4	010074	1/4"-20 x 3/4" Socket Hd. Set Screw
5	787064	Intellitram Saddle
6	796141	#6-32 x 1/2" BHCS
7	787072	Intellitram Storage Clip
8	796306	#8 x 1" Truss Head Screw

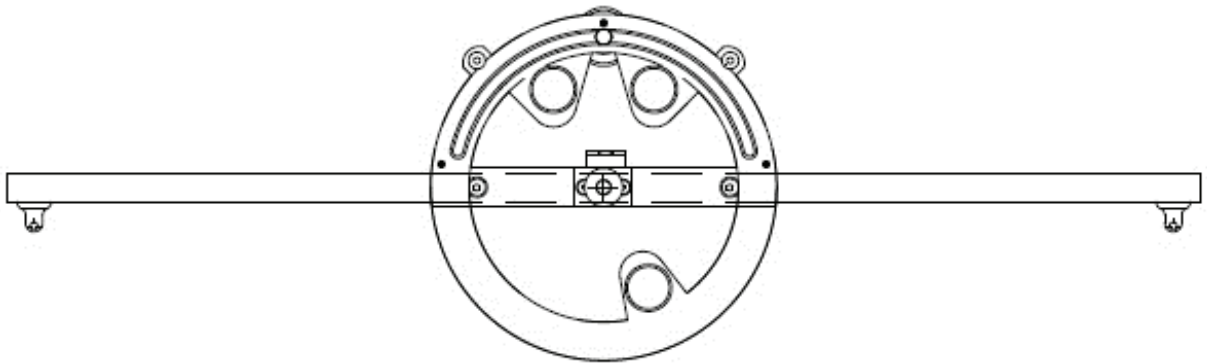
### INTELLITRAM ASSEMBLY (Optional)



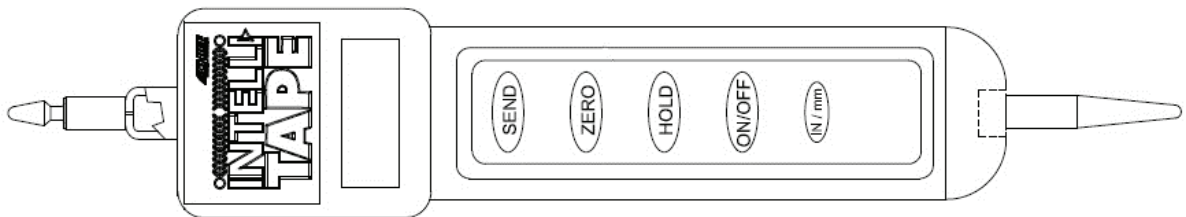
## TRACKING ATTACHMENT (Optional)



REF.	PART NO.	DESCRIPTION
	702200	Tracking Attachment
1	621026	Screw Cap, 1/4" -20 x 5/8" Hex Hd.
2	702175	Alignment Pointer Assy.
3	702180	Align Inner Disk Assy.
4	702182	Plastic Knurled-Rim Clamping Knob
5	702190	Align Outer Disk Assy.
6	787956	Level Mount
7	787957	Level



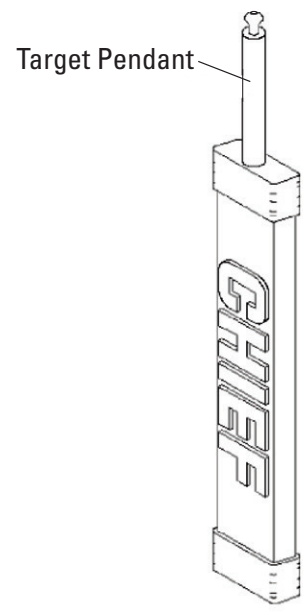
## 787000 INTELLITAPE ASSEMBLY (Optional)



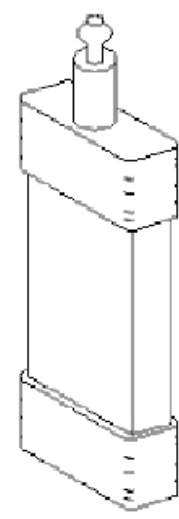
**Target Assemblies - No. 1-45**

Target No.	Target Asm PN	Step Only PN	Stem Length (mm)	Cap No. Bottom	Cap No. Top
1	M789001	788260	12	788301	787301
2	M789002	788260	12	788302	787302
3	M789003	788260	12	788303	787303
4	M789004	788260	12	788304	787304
5	M789005	788261	20	788305	787305
6	M789006	788261	20	788306	787306
7	M789007	788261	20	788307	787307
8	M789008	788261	20	788308	787308
9	M789009	788262	40	788309	787309
10	M789010	788262	40	788310	787310
11	M789011	788262	40	788311	787311
12	M789012	788262	40	788312	787312
13	M789013	788263	80	788313	787313
14	M789014	788263	80	788314	787314
15	M789015	788263	80	788315	787315
16	M789016	788263	80	788316	787316
17	M789017	788264	120	788317	787317
18	M789018	788264	120	788318	787318
19	M789019	788264	120	788319	787319
20	M789020	788264	120	788320	787320
21	M789021	788265	160	788321	787321
22	M789022	788265	160	788322	787322
23	M789023	788266	200	788323	787323
24	M789024	788266	200	788324	787324
25	M789025	788267	240	788325	787325
26	M789026	788267	240	788326	787326
27	M789027	788268	280	788327	787327
28	M789028	788268	280	788328	787328
29	M789029	788269	320	788329	787329
30	M789030	788269	320	788330	787330
31	M789031	788269	320	788331	787331
32	M789032	788269	320	788332	787332
33	M789033	788270	360	788333	787333
34	M789034	788270	360	788334	787334
35	M789035	788270	360	788335	787335
36	M789036	788270	360	788336	787336
37	M789037	788271	410	788337	787337
38	M789038	788271	410	788338	787338
39	M789039	788272	460	788339	787339
40	M789040	788272	460	788340	787340
41	M789041	788261	20	788341	787341
42	M789042	788261	20	788342	787342
43	M789043				
44	M789044				
45	M789045				
8-32 x .625 lg set screw for Pendant Mount 796223					
8-32 x .50 lg set screw for Pendant Mount 796222					

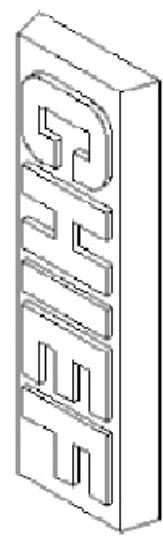
Target No. 1-40



Target No. 41-42

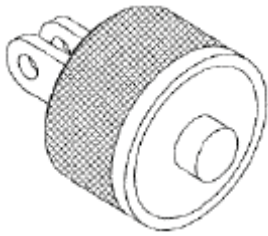


Target No. 43-45

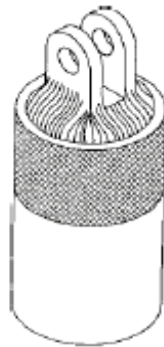




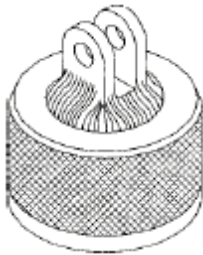
### Magnetic Hole Attachment



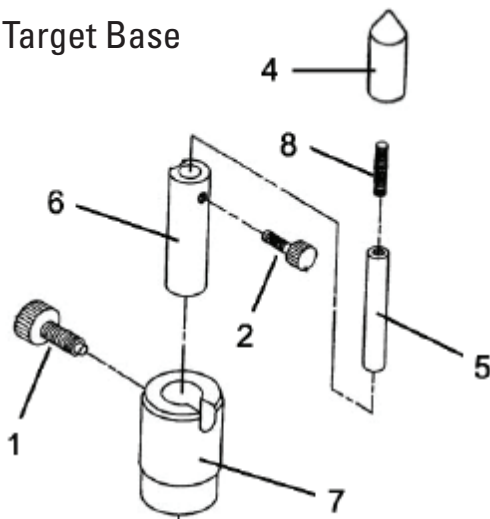
### Threaded Bolt Attachment



### Magnetic Bolt Attachment



### Target Base

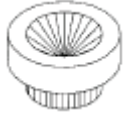


REF.	PART NO.	DESCRIPTION
		<b>Magnetic Hole Attachment</b>
	791980	Hole Attachment, Magnetic, 10mm
	791981	Hole Attachment, Magnetic, 11mm
	791982	Hole Attachment, Magnetic, 12mm
	791983	Hole Attachment, Magnetic, 13mm
	791984	Hole Attachment, Magnetic, 14mm
	791985	Hole Attachment, Magnetic, 15mm
	791986	Hole Attachment, Magnetic, 16mm
	791987	Hole Attachment, Magnetic, 17mm
	791988	Hole Attachment, Magnetic, 18mm
	791989	Hole Attachment, Magnetic, 19mm
	791991	Hole Attachment, Magnetic, 20mm
	791992	Hole Attachment, Magnetic, 22mm
	791993	Hole Attachment, Magnetic, 24mm
	791994	Hole Attachment, Magnetic, 25mm
		<b>Magnetic Bolt Attachment</b>
	780100	Bolt Attachment, Magnetic, 10mm
	780101	Bolt Attachment, Magnetic, 13mm
	780102	Bolt Attachment, Magnetic, 14mm
	780103	Bolt Attachment, Magnetic, 15mm
	780104	Bolt Attachment, Magnetic, 16mm
	780105	Bolt Attachment, Magnetic, 17mm
	780106	Bolt Attachment, Magnetic, 18mm
	780107	Bolt Attachment, Magnetic, 19mm
	780108	Bolt Attachment, Magnetic, 21mm
	780109	Bolt Attachment, Magnetic, 24mm
		<b>Threaded Bolt Attachment</b>
	780112	Bolt Attachment, Threaded, 13mm
	780113	Bolt Attachment, Threaded, 14mm
	780114	Bolt Attachment, Threaded, 15mm
	780115	Bolt Attachment, Threaded, 18mm
	780116	Bolt Attachment, Threaded, 21mm
	780117	Bolt Attachment, Threaded, 24mm
	799060	Target Base (complete)
1	621835	Thumb Screw, Padded, 1/4"-20NC x 1/2"
2	632227	Screw, 6-32 x 1/2", SHCS
3	635612	Base
4	790209	Point, 25mm
5	790217	Extension, Inner, 6mm x 50mm
6	790225	Extension, Center, 13mm x 50mm
7	790233	Cylinder, Outer, 25mm x 45mm
8	796221	Set Screw, Hex Socket, 8-32NC x .75 Lb.

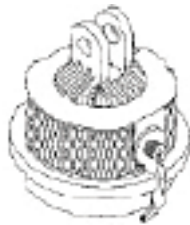
Bottom Hole Clip



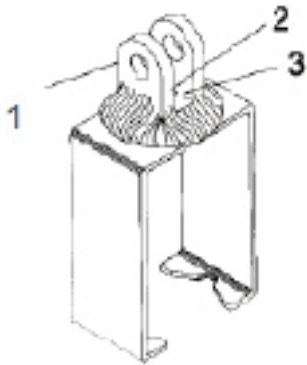
Bolt Hole Cap



Stud Hole Cap  
(Same Exterior Appearance as Bolt Hole Cap)

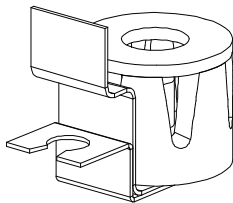


Aluminum Snap-in



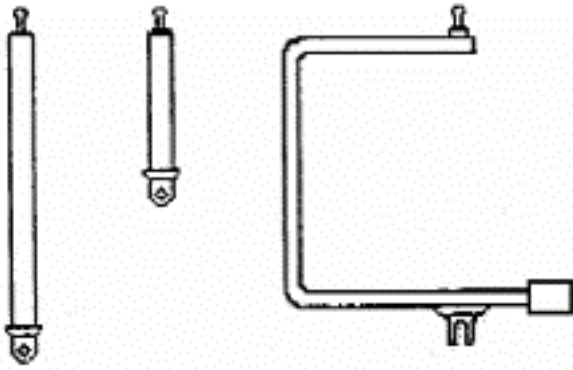
Nylon Bolt Clip

Magnetic Attachment  
(Assembly Only)

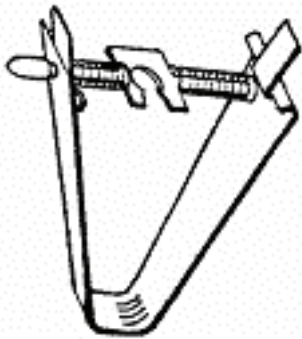


Ref.	Part No.	Description
		<b>Bottom Hole Clip</b>
	792271	Clip, Bottom Hole, 5-10mm
		<b>Bolt Hole Cap</b>
	780060	Cap, Bolt Hole, 5mm
	780061	Cap, Bolt Hole, 7mm
	780062	Cap, Bolt Hole, 9mm
	780063	Cap, Bolt Hole, 11mm
	780064	Cap, Bolt Hole, 13mm
	780065	Cap, Bolt Hole, 15mm
	780066	Cap, Bolt Hole, 17mm
		<b>Stud Hole Cap</b>
	792025	Cap, Stud/Hole 6mm
	792026	Cap, Stud/Hole 8mm
	792027	Cap, Stud/Hole 9mm
	792028	Cap, Stud/Hole 10mm
	792029	Cap, Stud/Hole 12mm
	792030	Cap, Stud/Hole 13mm
	792031	Cap, Stud/Hole 14mm
	792032	Cap, Stud/Hole 15mm
	792033	Cap, Stud/Hole 18mm
	799548	Aluminum Snap-In Attachment set
	780046	Attachment, Snap-In, 26mm
	780048	Attachment, Snap-In, 28mm
	780050	Attachment, Snap-In, 30mm
		<b>Nylon Bolt Clip</b>
	780057	Bolt Clip, Nylon, 10-20mm
	780058	Bolt Clip, Nylon, 15-25mm
	780059	Bolt Clip, Nylon, 25-35mm
1	790277	Ball Socket, Target
2	780001	Shoulder Screw, .18 x .313 Long
3	780028	Cap Screw, 2-56 x 3/16 Lg.,BH
	798972	Magnetic Attachment (complete)

## Target Extension Rod Assemblies



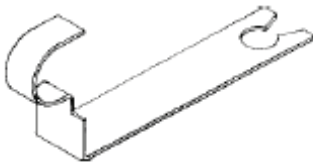
### Extruded Hole Attachment - Metal



### Side Hole Clip - Metal



### Extended Side Hole Clip - Metal



Part No.	Description
798440	Target Extension Rod Assemblies Set
798431	Target Extension Rod Ass'y, 256mm, red
798412	Target Extension Rod Ass'y, 156mm, blue
798421	4C Extension, C - Shape
	<b>Extruded Hole Attachment</b>
799019	Att., Extruded Hole, 9 - 25mm (Orange)
799027	Att., Extruded Hole, 20 - 45mm (White)
	<b>Side Hole Clip</b>
790188	Clip, Side Hole, 23mm
790196	Clip, Side Hole, 35mm
	<b>Side Hole Clip, Extended</b>
790330	Clip, Side Hole, Extended, 23 x 50mm
790372	Clip, Side Hole, Extended, 35 x 50mm



966 Industrial Dr.  
Madison, IN 47250  
Phone: 800.445.9262  
Fax: 866.275.0173

[www.chiefautomotive.com](http://www.chiefautomotive.com)